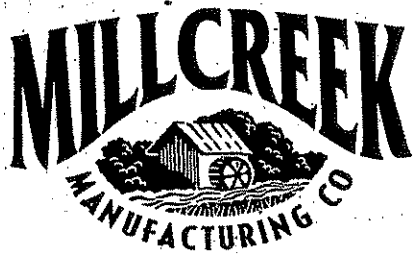
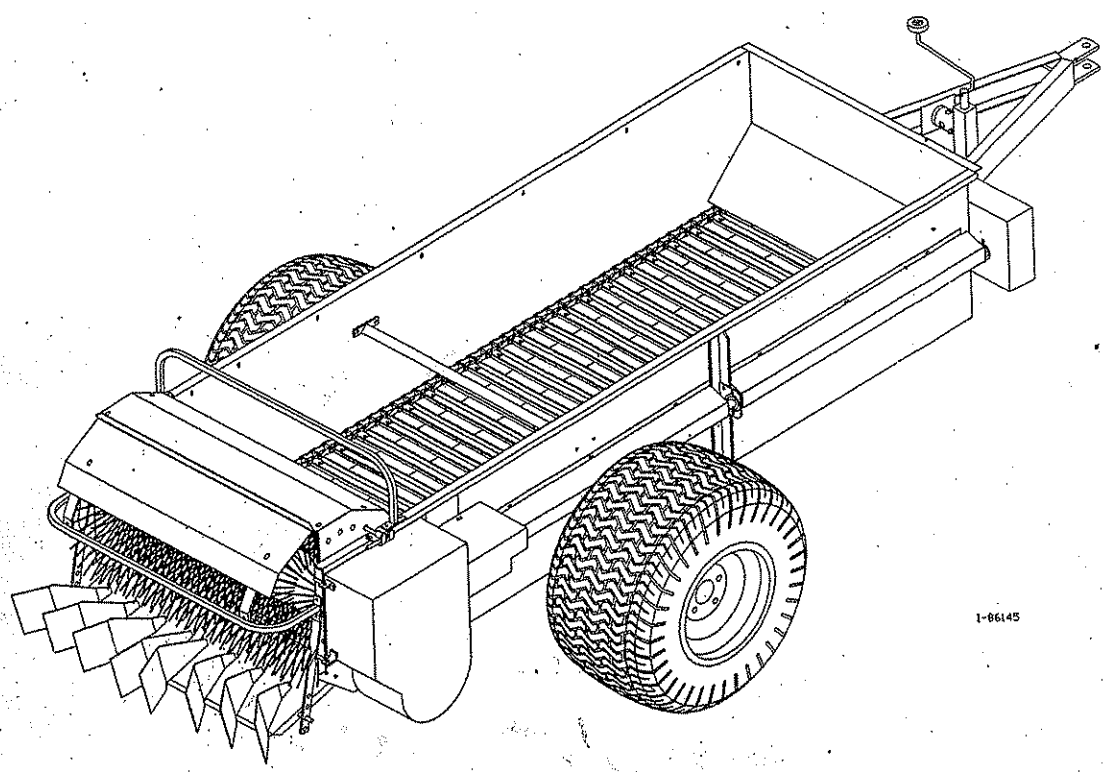


USE BOND DE VLI DEKREKES UNCT



OPERATOR'S MANUAL

**MILLCREEK MODELS:
50TD and 75TD TOPDRESSERS**



1-86145

PUBLICATION DATE: 12/1/02, Rev. 1

MILLCREEK PART # 43810

Millcreek Manufacturing Company
34 Zimmerman Road
Leola, PA 17540
Phone: 717-656-3050 / Fax: 717-556-0279



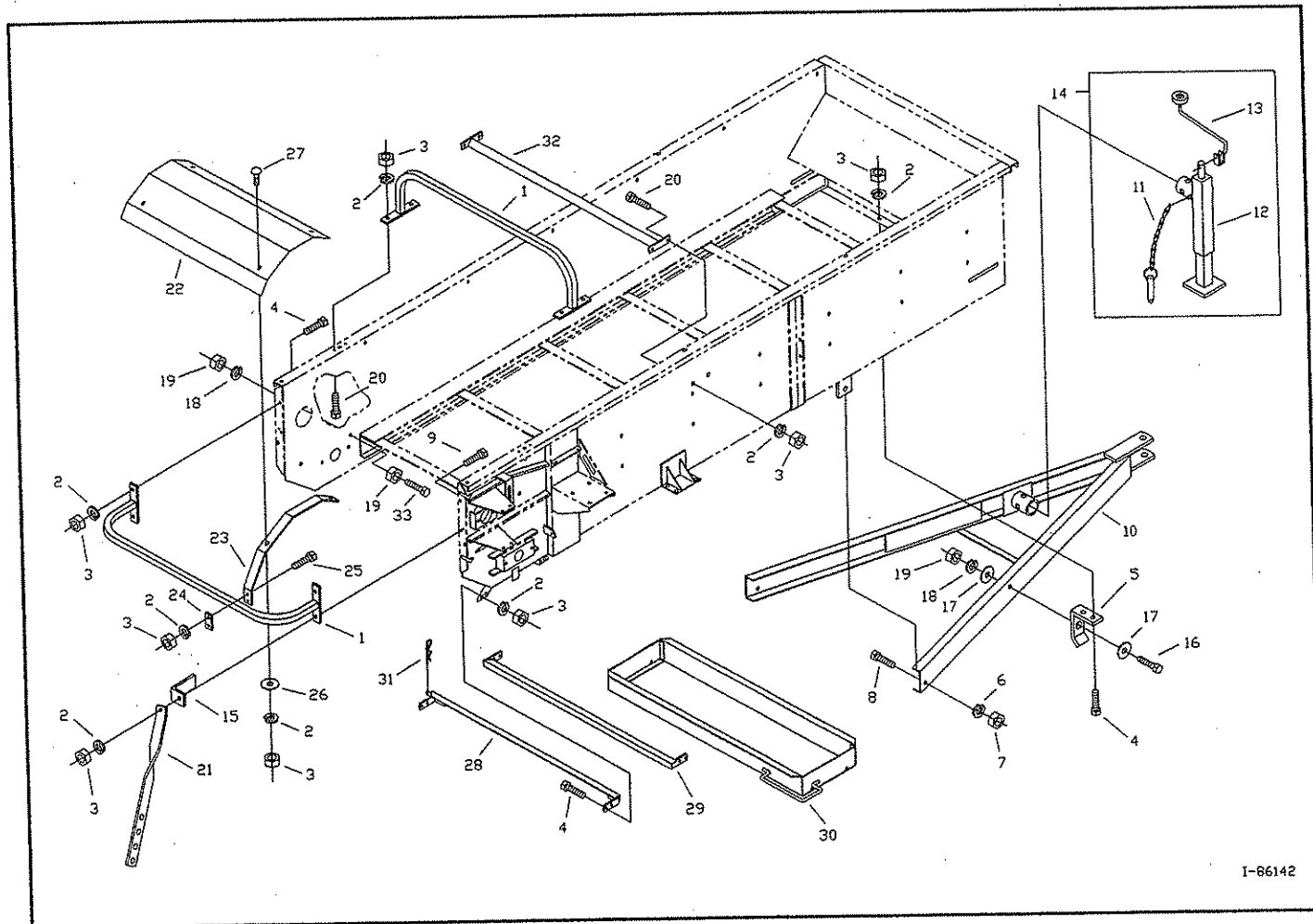
WARNING: DO NOT assemble, operate, or maintain this equipment without first reading and understanding the information provided in this manual. Failure to follow all safety precautions as stated in the manual may result in serious personal injury or death.

Ordering Information

When ordering replacement parts, please provide the following information to your local Millcreek dealer:

- Model and Serial Number of the unit (located on the front right corner of the unit)
- Part Number and Description as it appears on the following drawings/parts lists

Hitch Assembly and Topdresser Box Components



**Figure A1 - Hitch Assembly and Topdresser Box Components
Parts Detail**

Hitch Assembly and Box Components (continued)

<u>Item #</u>	<u>Millcreek Part #</u>	<u>Qty.**</u>	<u>Component Description</u>
1	260555	2	Beater Guard
2	34203	32/24	5/16 Lock Washer
3	34020	32/24	5/16 Nut
4	34221	10/6	5/16 x 1 Bolt
5	260488	2	Hitch Bracket
6	34035	2	1/2 Lock Washer
7	34034	2	1/2 Nut
8	34230	2	1/2 x 3 Bolt
9	34257	2	5/16 x 1-1/2 Bolt
10	260736	1	Hitch
11	215228	1	Jack Pin and Chain
12	215258	1	Jack
13	215223	1	Jack Handle
14	215113	1	Complete Jack (includes items 11-13)
15	260636	2	Metering Gate Stop
16	34242	2	3/8 x 2-1/2 Bolt
17	34018	4	3/8 Washer
18	34141	4	3/8 Lock Washer
19	34087	6	3/8 Nut
20	34200	12/8	5/16 x 3/4 Bolt
21	260619	2	Pan Adjustment Bar
22	260643	1	Brush Shield
23	260642	2	Brush Shield Arm
24	260641	2	Brush Shield Support
25	34249	4	5/16 x 1-3/4 Bolt
26	34057	4	5/16 Washer
27	34248	4	5/16 x 3/4 Carriage Bolt
28	260743	1	Back Pan Track
29	260626	1	Front Pan Track (Model 75 only)
30	260712	1	Catch Pan
31	220143	1	Clip Hitch Pin #11
32	260704	1	Box Support (Model 75 only)
33	34199	2	3/8 x 1 Bolt

****NOTE:** If two quantities are listed (e.g. 4/2), the first quantity applies for Model 75TD, and the second applies for Model 50TD.

Wheel and Hub Assembly

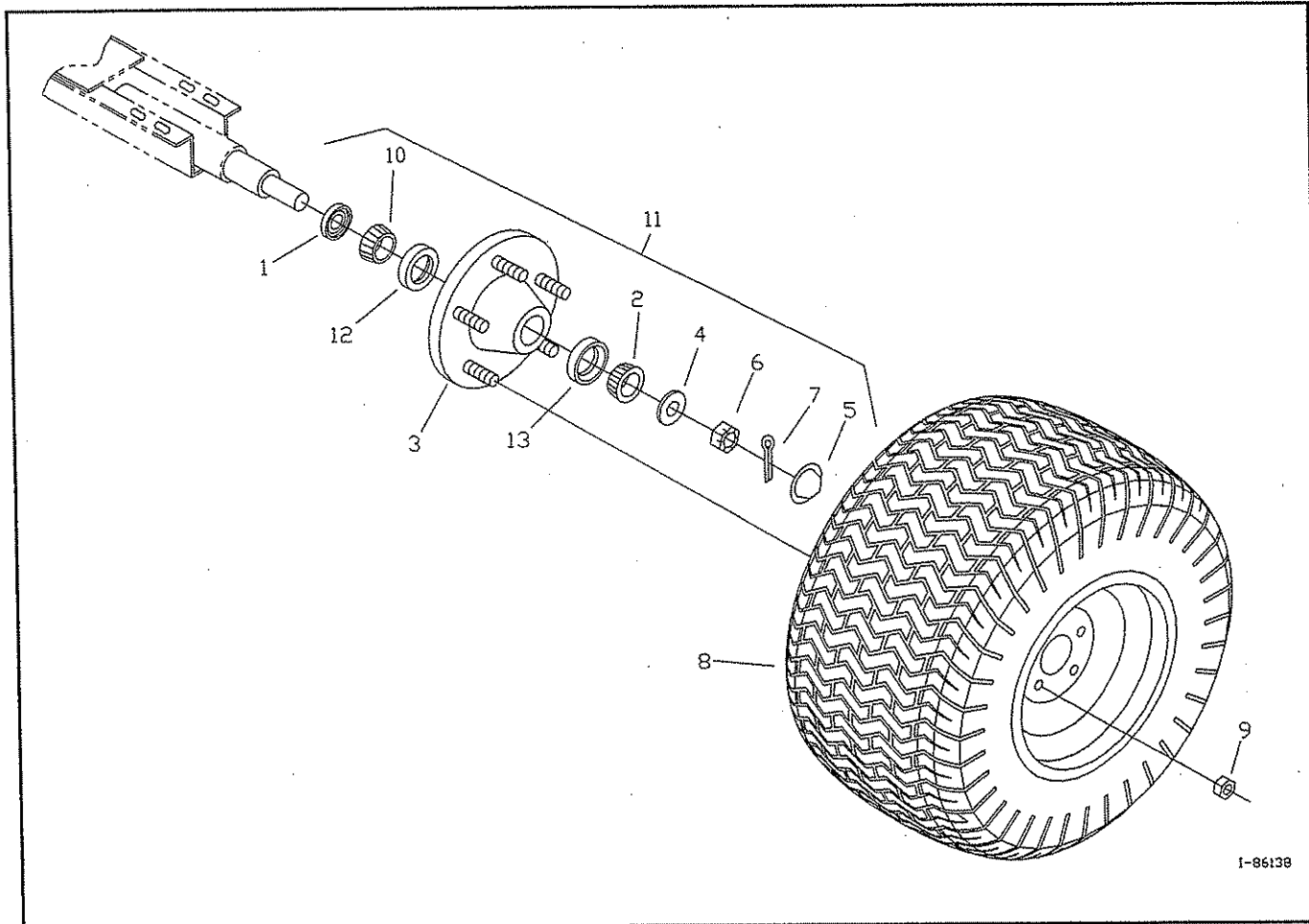


Figure A2 - Wheel and Hub Assembly Parts Detail

Wheel and Hub Assembly (continued)

<u>Item #</u>	<u>Millcreek Part #</u>	<u>Qty.</u>	<u>Component Description</u>
1	215248	2	Grease Seal
2	215251	2	Outer Bearing Cone
3	215250	2	Hub (includes items 12, 13)
4	215256	2	1" Washer
5	215253	2	Dust Cap
6	215252	2	Spindle Nut
7	34347	2	Cotter Pin
8	215137	2	Wheel and Tire, Model 50 TD
	215138	2	Wheel and Tire, Model 75 TD
	215259	2	Rim
	215260	2	Tire, Model 75 TD
	215261	2	Tire, Model 50 TD
9	215255	10	Wheel Lug Nut
10	215249	2	Inner Bearing Cone
11	215221	2	Complete Hub (includes items 1-7, 9, 10)
12	215280	2	Inner Bearing Cup
13	215281	2	Outer Bearing Cup

Floor Assembly and Safety Shields

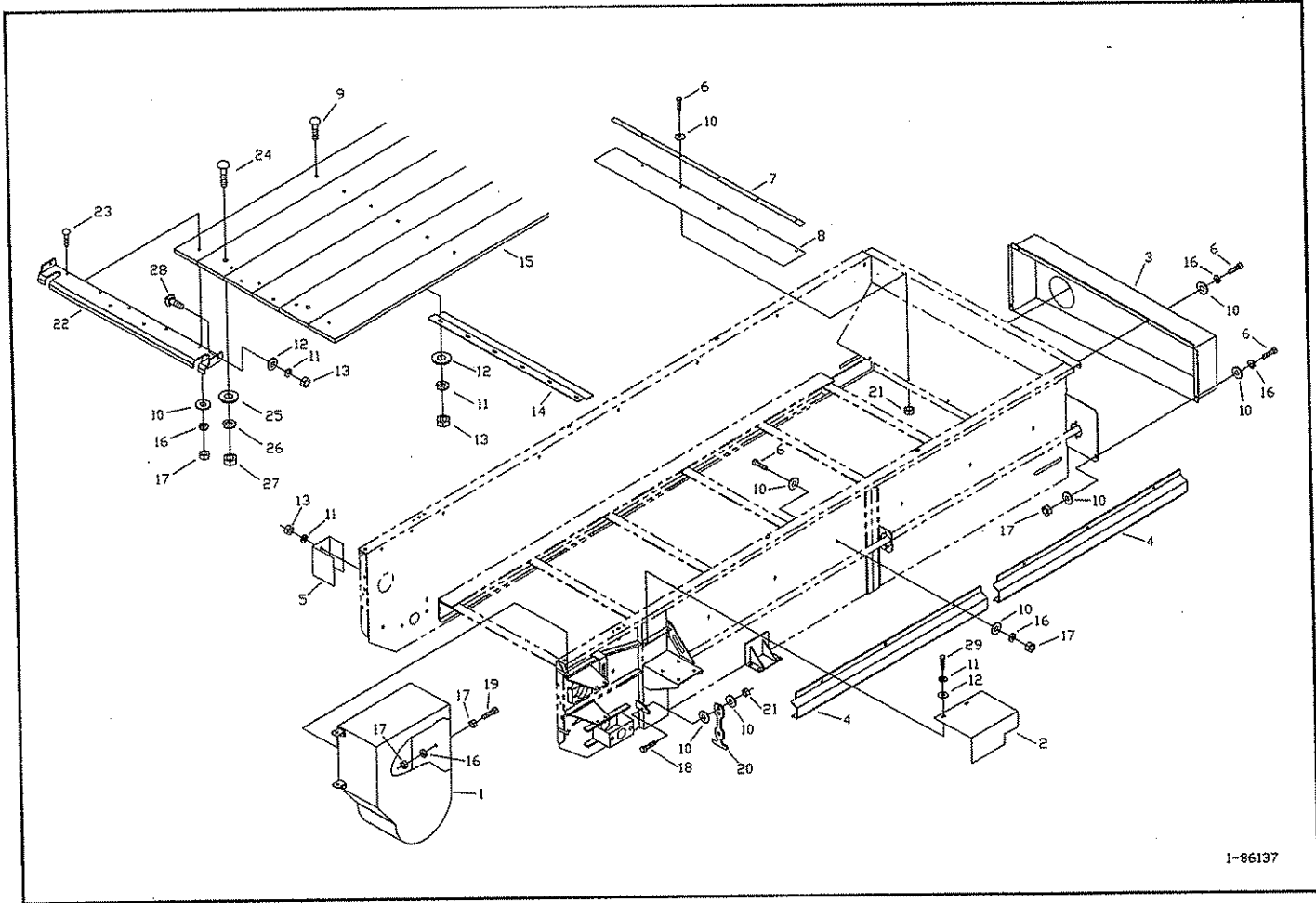


Figure A3 - Floor Board Assembly Parts Detail
IMPORTANT: Note positioning and assembly of safety shields!

Floor Assembly (continued)

<u>Item #</u>	<u>Millcreek Part #</u>	<u>Qty.**</u>	<u>Component Description</u>
1	260635	1	Right Rear Shield
2	260444	1	Gear Box Shield
3	260803	1	Front Shield
4	260442	2	Model 75 Side Shaft Shield
	260546	1	Model 50 Side Shaft Shield
5	260386	1	Left Beater Shield
6	34234	21/17	1/4 x 3/4 Bolt
7	260539	1	Hold Down
8	260811	1	Rubber Strip
9	34282	6	5/16 x 1-1/2 Carriage Bolt
10	34052	45/37	1/4 Washer
11	34203	12	5/16 Lock Washer
12	34057	10	5/16 Washer
13	34020	10	5/16 Nut
14	260482	1	Floor Hold Down
15	215103	6	Floor Board, Model 75
	215101	6	Floor Board, Model 50
16	34235	24/20	1/4 Lock Washer
17	34003	24/20	1/4 Nut
18	34214	1	1/4 x 1 Bolt
19	34251	1	1/4 x 1-1/2 Bolt
20	220113	1	Rubber Strap
21	34124	6	1/4 Nylon Lock Nut
22	260541	1	Rear Floor Edging
23	34245	7	1/4 x 1-1/4 Carriage Bolt
24	34246	2	1/2 x 1-1/2 Carriage Bolt
25	34094	2	1/2 Washer
26	34035	2	1/2 Lock Washer
27	34034	2	1/2 Nut
28	34248	2	5/16 x 3/4 Carriage Bolt
29	34200	2	5/16 x 3/4 Bolt

****NOTE:** If two quantities are listed (e.g. 4/2), the first quantity applies for Model 75TD, and the second applies for Model 50TD.

Apron Chain and Sprocket Assembly

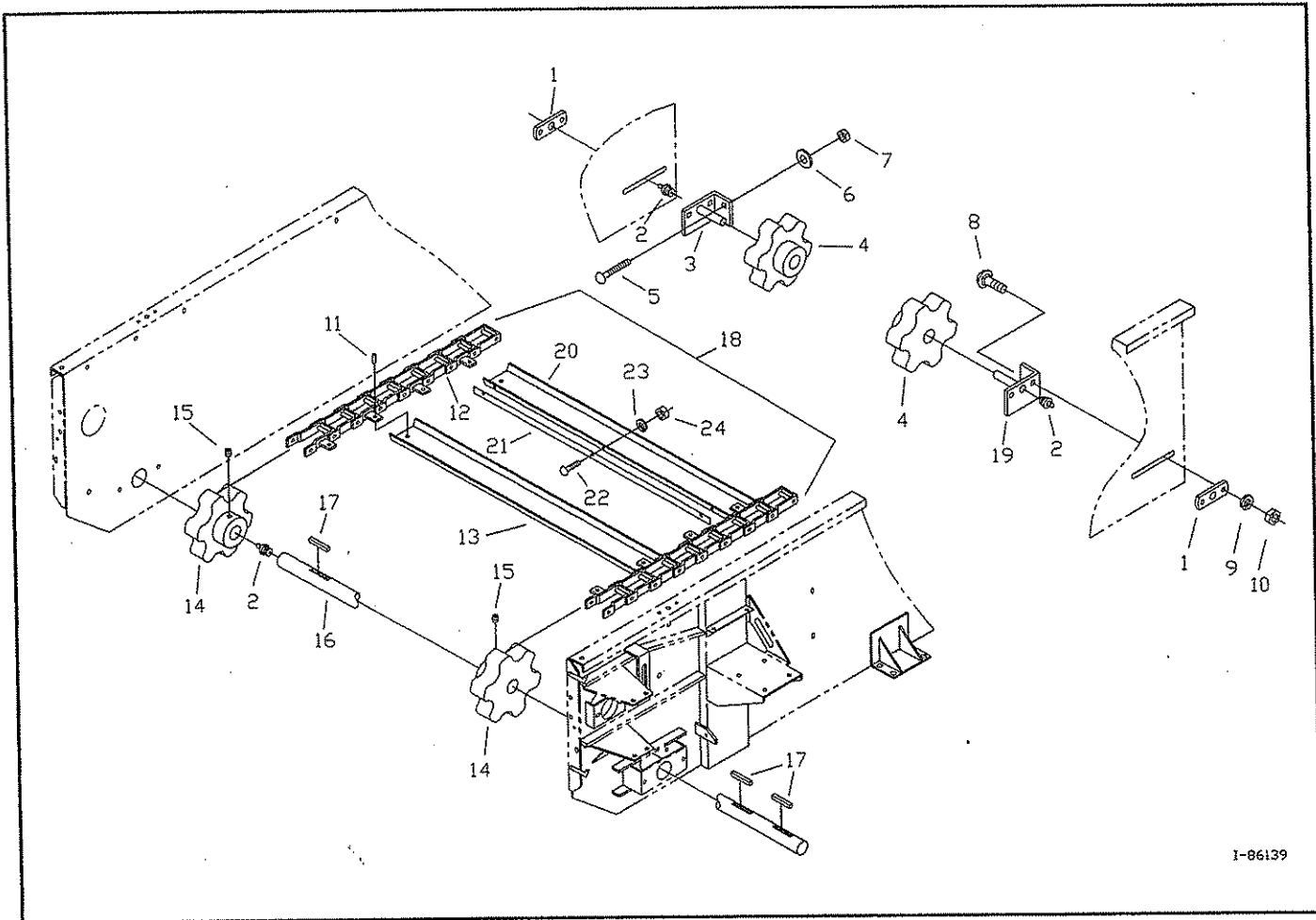


Figure A4 - Apron Chain and Sprocket Assembly Parts Detail

Apron Chain and Sprocket Assembly (continued)

<u>Item #</u>	<u>Millcreek Part #</u>	<u>Qty.**</u>	<u>Component Description</u>
1	260269	2	Slot Cover
2	220101	3	Lube Fitting
3	260690	1	Idler Bracket, Left side (includes item 2)
4	260285	2	Idler Sprocket
5	34247	2	3/8 x 3-1/4 Carriage Bolt
6	34018	2	3/8 Washer
7	34220	2	3/8 Nylon Stop Nut
8	34246	4	1/2 x 1-1/2 Carriage Bolt
9	34035	4	1/2 Lock Washer
10	34034	4	1/2 Nut
11	220110	124/88	1/4 x 11/16 Rivet
12	210256	124/88	#662 Attachment Link
	210259	124/88	#662 Link
13	260528	59/42	Apron Slat
14	210184	2	Apron Sprocket (includes item 15)
15	N/A	4	Set Screw
16	260673	1	Apron Shaft (includes item 2)
17	210130	3	1/4 x 1 Key
18	260747	1/0	Complete Model 75 Apron Chain (includes Item #11-13, 20-24)
	260174	0/1	Complete Model 50 Apron Chain (includes Item #11-13, 20-24)
19	260689	1	Idler Bracket, Right Side (includes item 2)
20	260785	3/2	Apron Slat w/Holes for Wiper
21	260688	3/2	Wiper
22	34236	9/6	1/4 x 3/4 Carriage Bolt
23	34235	9/6	1/4 Lock Washer
24	34003	9/6	1/4 Nut

****NOTE:** If two quantities are listed (e.g. 4/2), the first quantity applies for Model 75TD, and the second applies for Model 50TD.

Apron Chain Drive Group

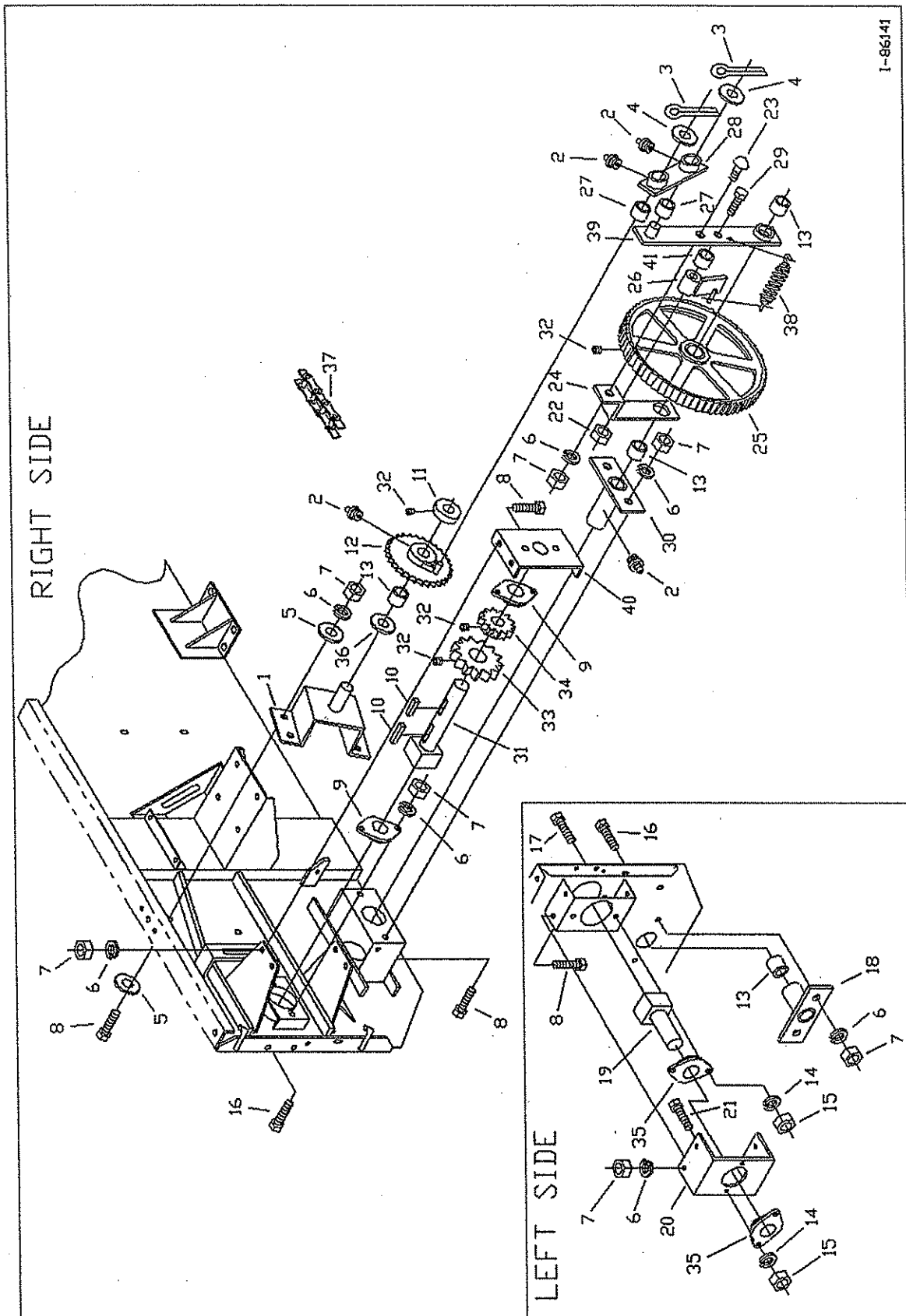
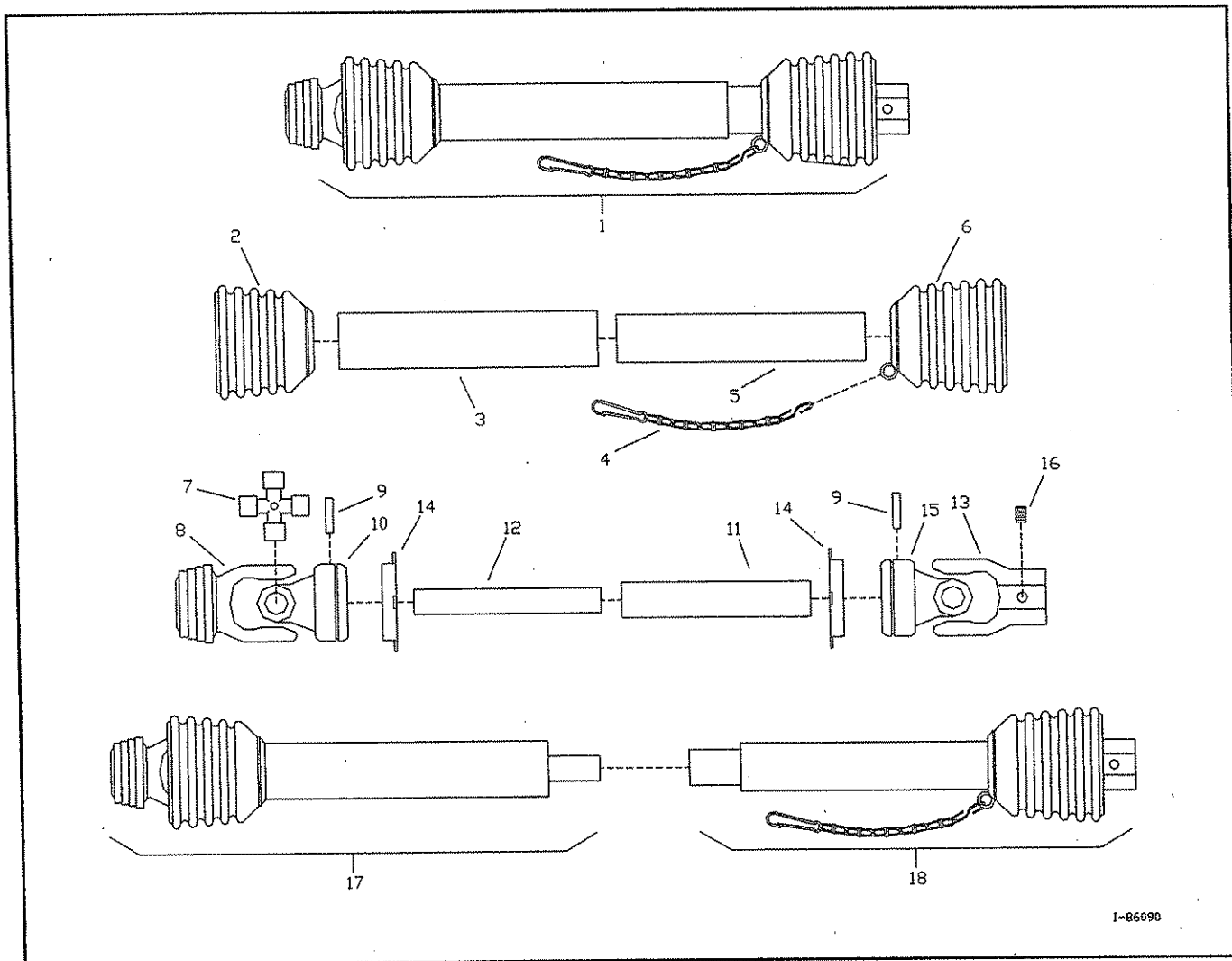


Figure A5 - Apron Chain Drive Group Parts Detail

Apron Chain Drive Group (continued)

<u>Item #</u>	<u>Millcreek Part #</u>	<u>Qty.</u>	<u>Component Description</u>
1	260616	1	Sprocket Bracket
2	220101	4	Lube Fitting
3	34209	2	Cotter Pin
4	34201	2	3/4 SAE Washer
5	34018	8	3/8 Washer
6	34141	19	3/8 Lock Washer
7	34087	19	3/8 Nut
8	34199	12	3/8 x 1 Bolt
9	210168	2	1-1/4" Spherical Ball Bearing w/Flanges
10	210131	2	1/4 x 1-1/4 Key
11	210137	1	1-1/8 Shaft Collar
12	260296	1	Crank Arm Sprocket (includes items 2, 13)
13	210104	5	1-3/8 Dia. Bushing
14	34203	4	5/16 Lock Washer
15	34020	4	5/16 Nut
16	34197	6	3/8 x 3/4 Bolt
17	34200	2	5/16 x 3/4 Bolt
18	260563	1	Left Apron Bearing (includes item 13)
19	260700	1	Left Brush Shaft
20	260385	1	Left Brush Bracket
21	34222	2	5/16 x 1-1-4 Bolt
22	34211	1	1/2 Nylon Stop Nut
23	34006	1	3/8 x 1 Carriage Bolt
24	260268	1	Crank Arm Brace
25	210140	1	Ratchet Wheel
26	260318	1	Ratchet Pawl (includes item 41)
27	210105	2	1" Dia. Bushing
28	260292	1	Connector Arm (includes items 2, 27)
29	34230	1	1/2 x 3 Bolt
30	260304	1	Right Apron Bearing (includes items 2, 13)
31	260678	1	Right Brush Shaft
32	N/A	5	Set Screw
33	210169	1	18 Tooth Sprocket (includes item 32)
34	210170	1	12 Tooth Sprocket (includes item 32)
35	210144	2	1" Spherical Ball Bearing w/Flanges
36	260281	1	Sprocket Washer
37	210142	1	#50 Crank Chain (48 links)
	210284	1	#50 Chain Master Link
38	220104	1	Pawl Spring
39	260293	1	Crank Arm (includes item 13)
40	260508	1	Right Brush Bracket
41	210107	1	3/4 Dia. Bushing

PTO Shaft Assembly



I-86090

Figure A6 - PTO Shaft Assembly Parts Detail

PTO Shaft Assembly (continued)

<u>Item #</u>	<u>Millcreek Part #</u>	<u>Qty.</u>	<u>Component Description</u>
1	210334	1	Complete PTO Shaft
2	210285	1	5 Rib Shield Cone
3	210286	1	Outer Shield Tube
4	210291	1	Safety Chain
5	210290	1	Inner Shield Tube
6	210335	1	6 Rib Shield Cone
7	210292	2	Cross and Bearings
8	210293	1	Snap Yoke
9	210298	2	8 x 50mm Roll Pin
10	210294	1	Inboard Yoke
11	210295	1	Outer Profile
12	210296	1	Inner Profile
13	210297	1	Keyed Yoke
14	210310	2	Bearing Ring
15	210325	1	Inboard Yoke
16	N/A	2	3/8 x 3/8 Set Screw
17	210311	1	Front Half PTO Shaft
18	210312	1	Rear Half PTO Shaft

Belt Drive Assembly

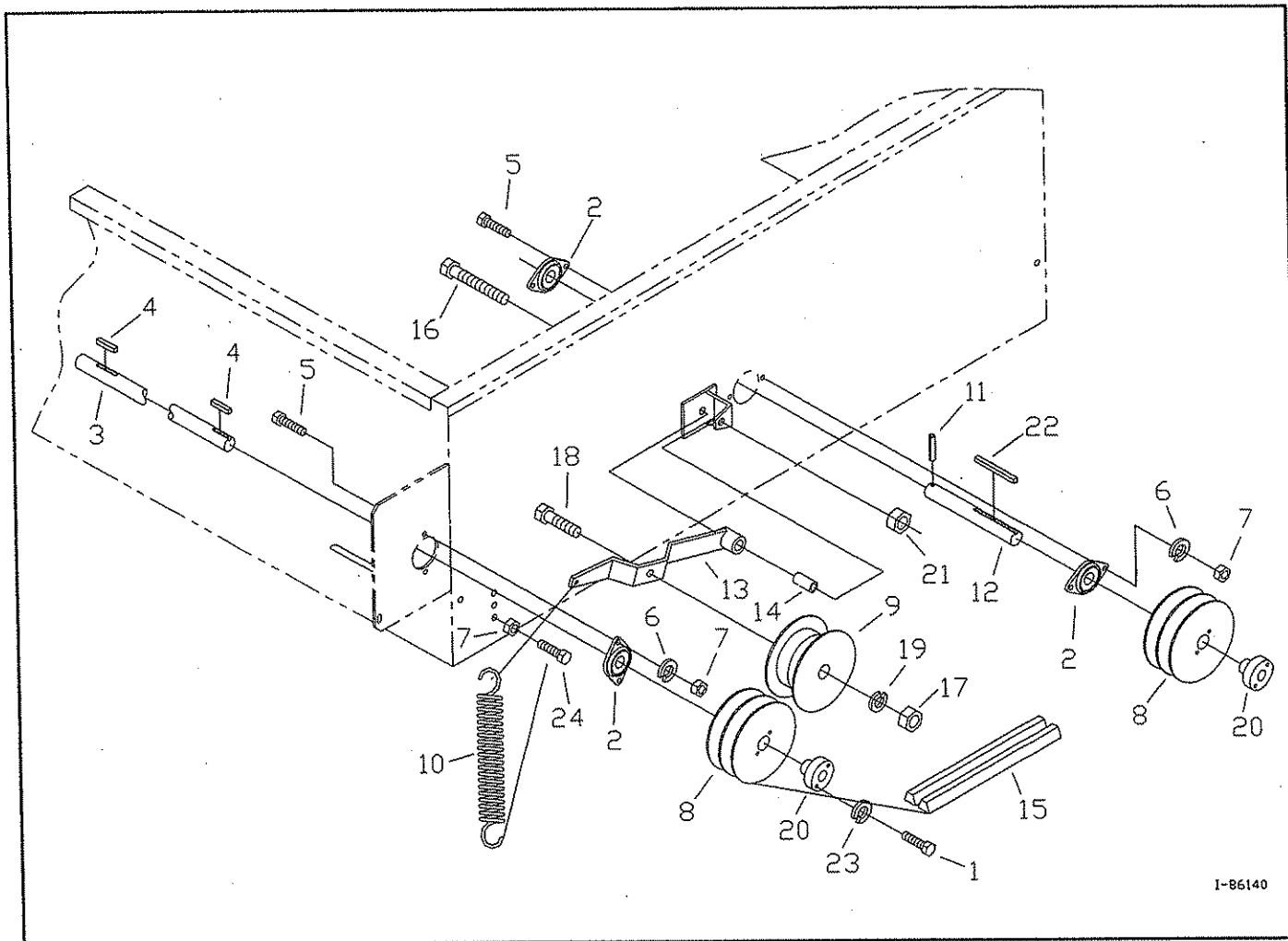
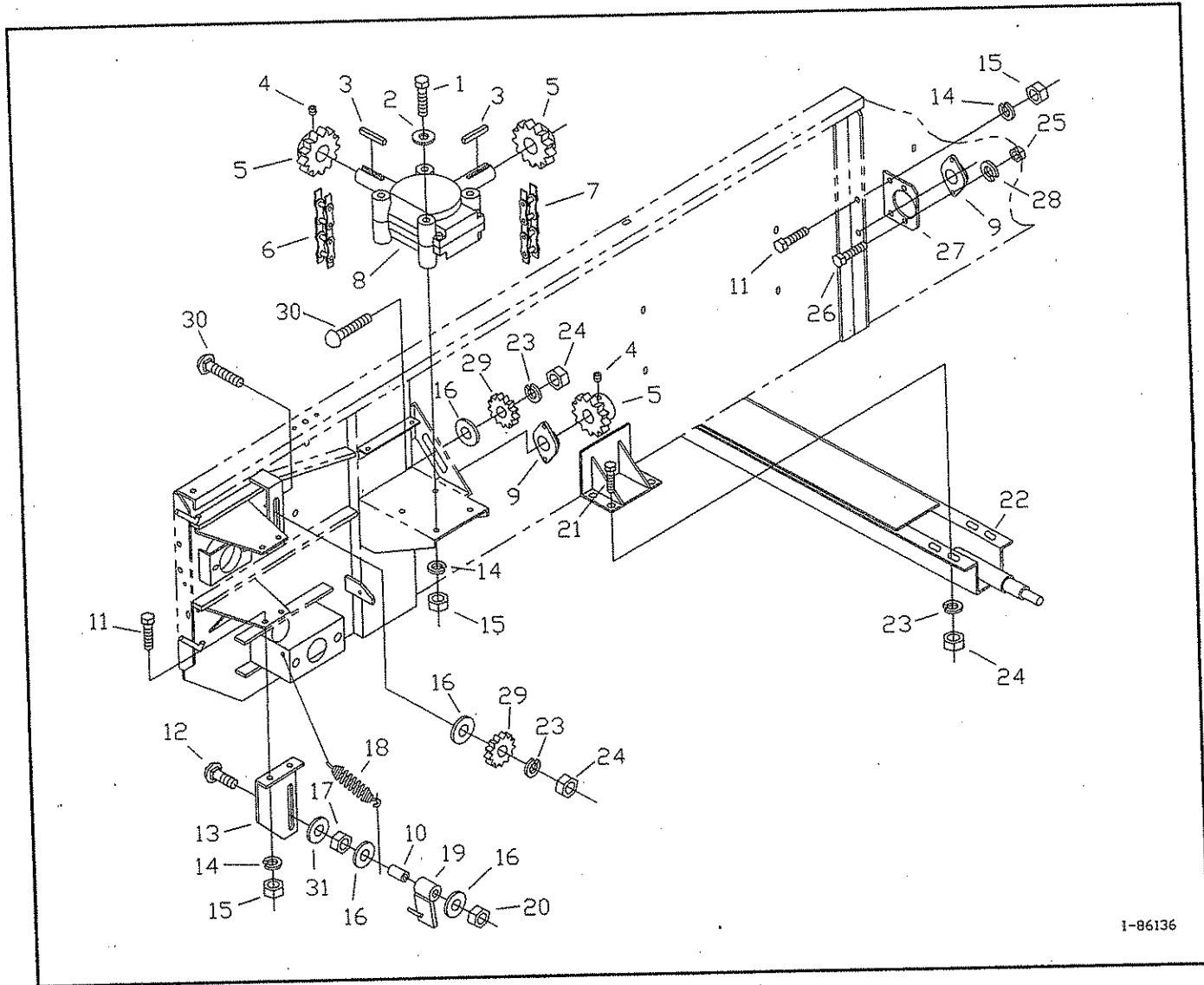


Figure A7 - Belt Drive Assembly Parts Detail

Belt Drive Assembly (continued)

<u>Item #</u>	<u>Millcreek Part #</u>	<u>Qty.</u>	<u>Component Description</u>
1	34214	4	1/4 x 1 Bolt
2	210144	3	Spherical Bearing
3	260370	1	Side Shaft, Model 75
	260674	1	Side Shaft, Model 50
4	210131	2	1/4 x 1-1/4 Key
5	34200	6	5/16 x 3/4 Bolt
6	34203	6	5/16 Lock Washer
7	34020	8	5/16 Nut
8	210163	2	Double Pulley
9	210165	1	Idler Pulley
10	220105	1	Spring
11	220106	1	1/4 x 1-1/4 Roll Pin
12	260426	1	PTO Stub Shaft
13	260362	1	Belt Tightener (includes item 14)
14	210107	1	3/4 Bushing
15	210172	1	Double V-Belt
16	34230	1	1/2 x 3 Bolt
17	34034	1	1/2 Nut
18	34226	1	1/2 x 1-1/2 Bolt
19	34035	1	1/2 Lock Washer
20	210146	2	Pulley Bushing
21	34211	1	1/2 Nylon Stop Nut
22	210304	1	1/4 x 3 Key
23	34235	4	1/4 Lock Washer
24	34257	1	5/16 x 1-1/2 Bolt

Drive Line Assembly



1-86136

Figure A8 - Drive Line Assembly Parts Detail

Drive Line Assembly (continued)

<u>Item #</u>	<u>Millcreek Part #</u>	<u>Qty.**</u>	<u>Component Description</u>
1	34241	4	3/8 x 4-1/2 Bolt
2	34018	4	3/8 Washer
3	210130	2	1/4 x 1 Key
4	N/A	6	Set Screw
5	210159	3	12 Tooth Sprocket (includes item 4)
6	210156	1	Beater Drive Chain (#60 x 60 links)
7	210157	1	Gearbox Drive Chain (#60 x 28 links)
	210303	AR	Master Link (#60 chain)
8	210174	1	Gearbox
9	210144	2/1	Spherical Bearing w/Flanges
10	210107	1	3/4 Dia. Bushing
11	34199	4/2	3/8 x 1 Bolt
12	34091	1	1/2 x 3 Carriage Bolt
13	260251	1	Pawl Adjustment Bracket
14	34141	8/6	3/8 Lock Washer
15	34087	8/6	3/8 Nut
16	34094	9	1/2 Washer
17	34198	1	1/2 Thin Nylon Stop Nut
18	220104	1	Pawl Spring
19	260318	1	Pawl (includes item 10)
20	34211	1	1/2 Nylon Stop Nut
21	34239	8	1/2 x 1 Bolt
22	260695	1	Axle
	260997	1	Axle w/Hubs
23	34035	10	1/2 Lock Washer
24	34034	10	1/2 Nut
25	34020	4/2	5/16 Nut
26	34200	4/2	5/16 x 3/4 Bolt
27	260317	1/0	Side Shaft Bracket (Model 75 ONLY)
28	34203	4/2	5/16 Lock Washer
29	210161	2	11 Tooth Sprocket
30	34240	2	1/2 x 2 Carriage Bolt
31	34300	1	5/8 SAE Washer

****NOTE:** If two quantities are listed (e.g. 4/2), the first quantity applies for Model 75TD, and the second applies for Model 50TD.

Brush and Deflector Pan Assembly

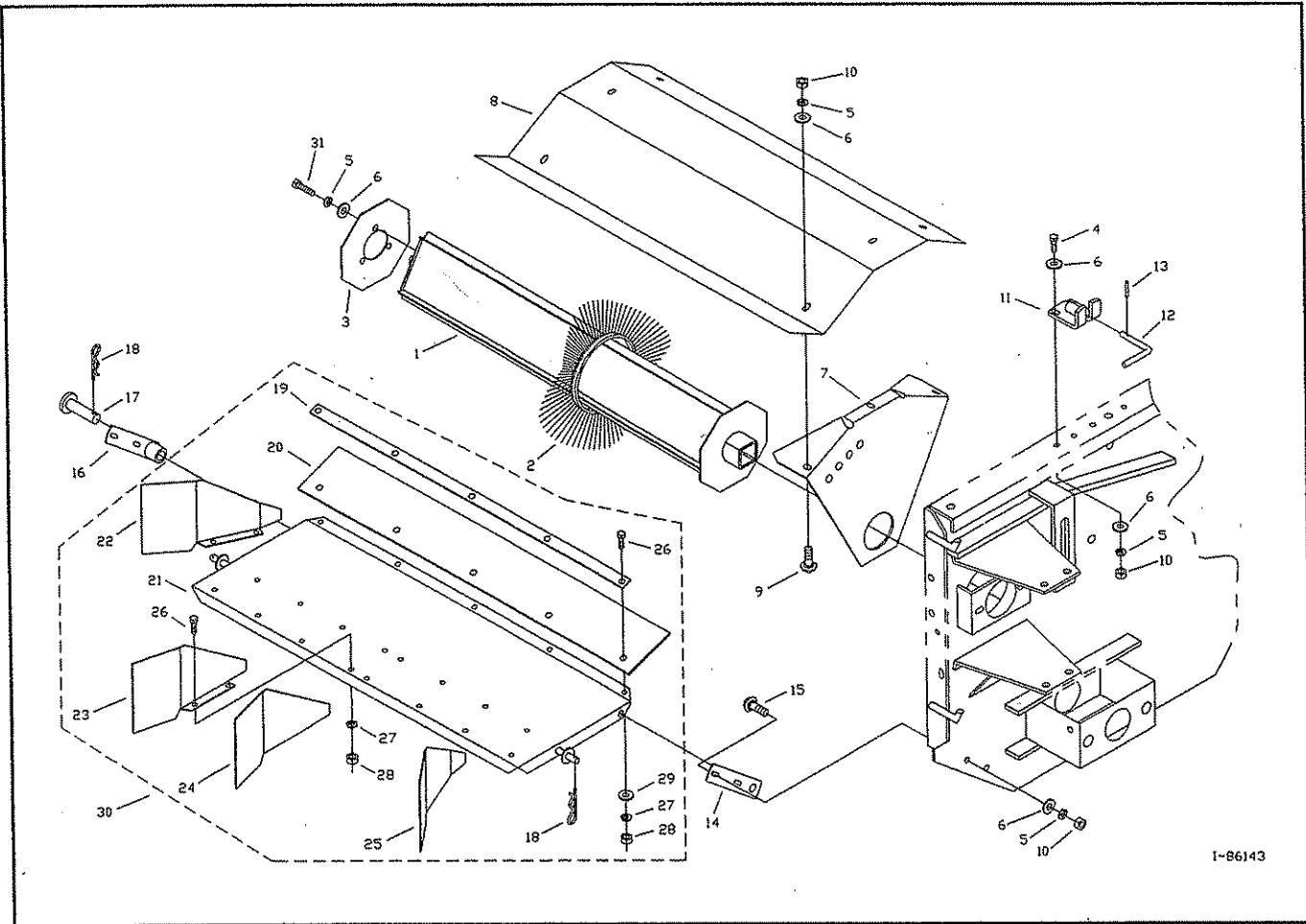


Figure A9 - Brush and Deflector Pan Assembly Parts Detail

Brush and Deflector Pan Assembly (continued)

<u>Item #</u>	<u>Millcreek Part #</u>	<u>Qty.</u>	<u>Component Description</u>
1	260418	1	Brush Core
2	215155	18	Brush Wafer
	215262	1	Complete Set of Brushes (18 Wafers)
3	260531	1	Brush End Plate
4	34221	4	5/16 x 1 Bolt
5	34203	17	5/16 Lock Washer
6	34057	21	5/16 Washer
7	260744	1	Metering Gate Bracket, Left side
	261143	1	Metering Gate Bracket, Right side (shown)
8	260640	1	Metering Gate
9	34248	6	5/16 x 3/4 Carriage Bolt
10	34020	14	5/16 Nut
11	260632	2	Pin Bracket
12	220146	2	Pin
13	220122	2	1/8 x 3/4 Roll Pin
14	260593	1	Right Deflector Pan Bracket
15	34250	4	5/16 x 1 Carriage Bolt
16	260589	1	Left Deflector Pan Bracket
17	260594	1	Deflector Pan Pin
18	220143	3	Clip Hitch Pin #11
19	260539	1	Hold Down Strip
20	260540	1	Rubber Seal
21	260708	1	Deflector Pan
22	260741	3	Left Deflector
23	260739	1	Left Center Deflector
24	260615	1	Right Center Deflector
25	260740	3	Right Deflector
26	34234	21	1/4 x 3/4 Bolt
27	34235	21	1/4 Lock Washer
28	34003	21	1/4 Nut
29	34052	5	1/4 Washer
30	260717	1	Deflector Pan Assembly (includes items 19-29)
31	34222	3	5/16 x 1-1/4 Bolt