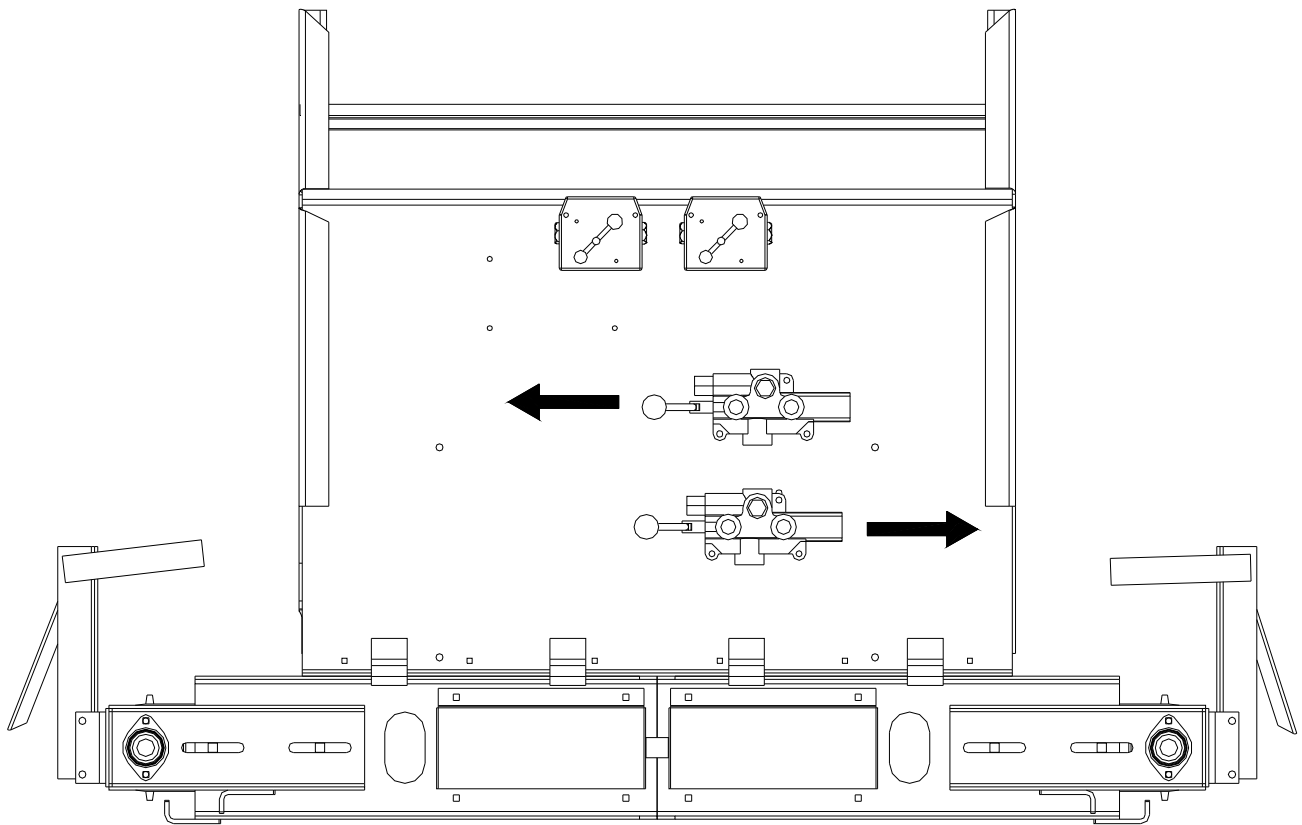
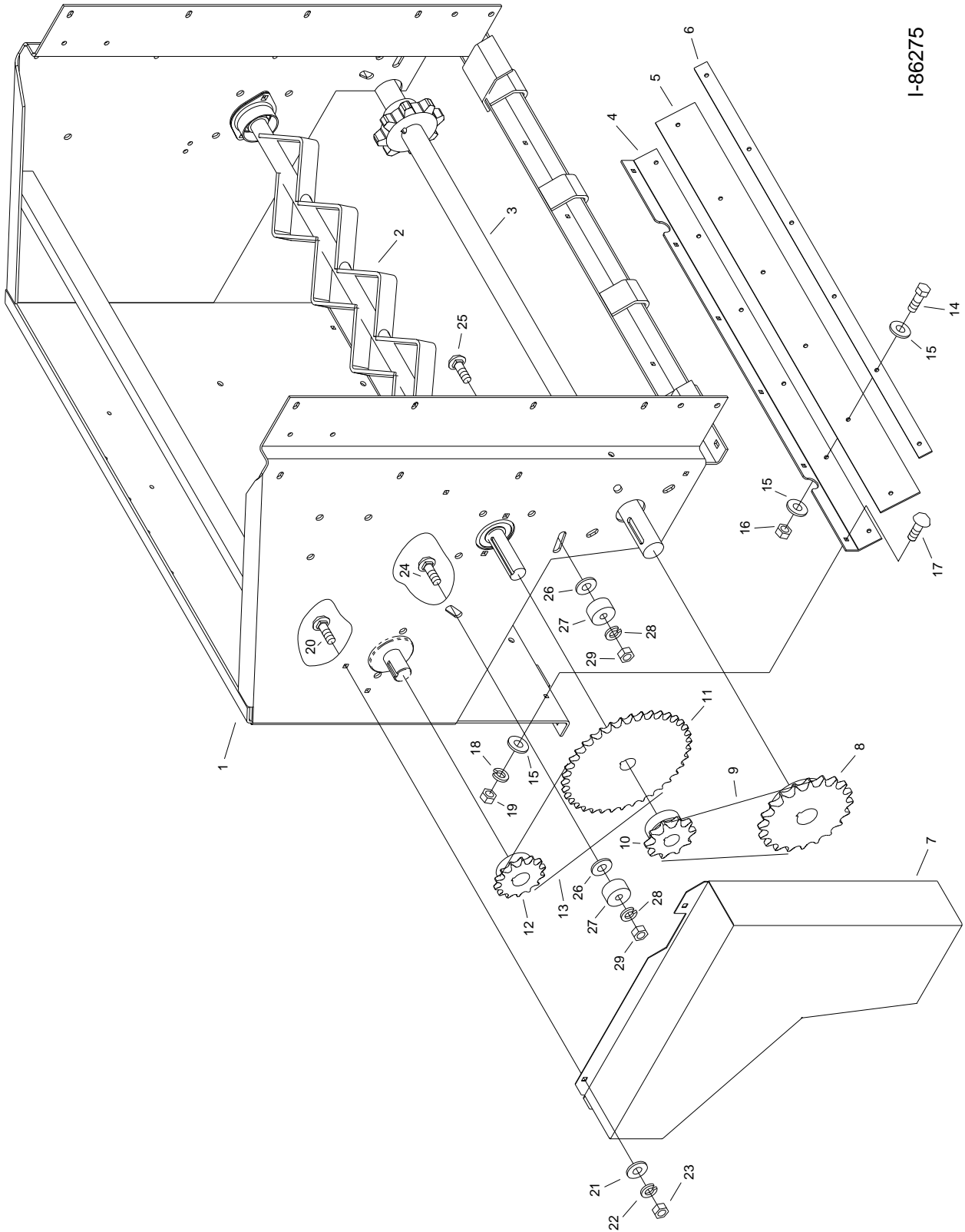


# Dual Discharge Row Mulcher Supplement



To discharge material both directions simultaneously, push the levers on the four way valves in the direction indicated by the arrows above. Spreading to one side or the other can be done by pushing both levers in the direction you wish to spread. Note that the valves can be stopped in 3 positions with the center position being neutral.

# Drives and Conveyor Box Assembly

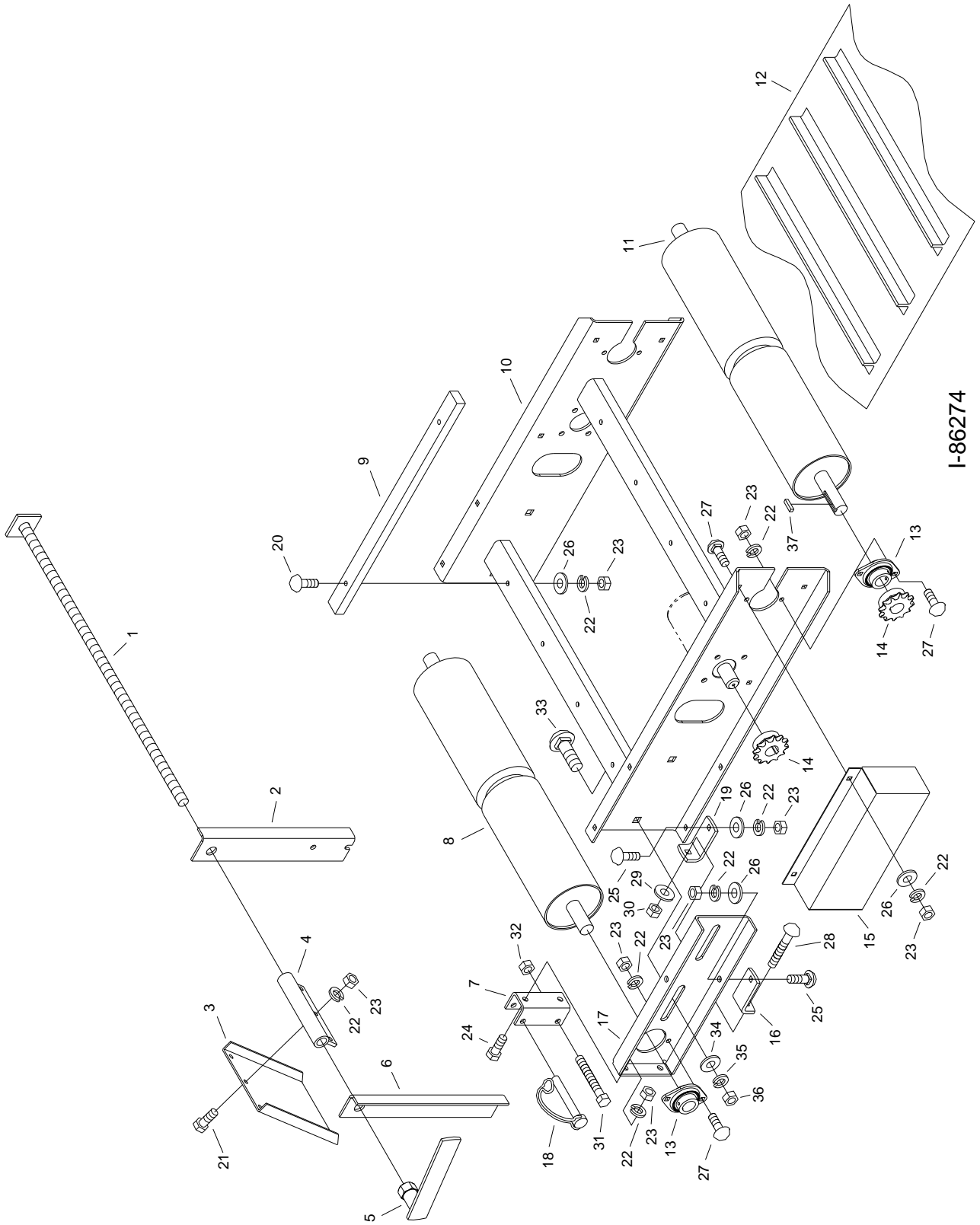


---

## Drives and Conveyor Box Assembly

<u>Item #</u>	<u>Part #</u>	<u>Qty</u>	<u>Description</u>
1	271237	1	Conveyor Box
2	271254	1	Beater
3	271244	1	Apron Shaft
4	271243	2	Conveyor Edging
5	220151	2	Conveyor Seal
6	270601	2	Rubber Seal Hold down
7	271233	1	Shield
8	210475	1	20 Tooth Sprocket
9	210477	1	Chain #80 x 36 Links
10	210474	1	10 Tooth Sprocket
11	210193	1	38 Tooth Sprocket
12	210333	1	14 Tooth Sprocket
13	210476	1	Chain #60 x 58 Links
14	34214	12	1/4 x 1 Bolt
15	34052	36	1/4 Washer
16	34124	12	1/4 Nylon Lock Nut
17	34236	12	1/4 x 3/4 Carriage Bolt
18	34235	12	1/4 Lock Washer
19	34003	12	1/4 Nut
20	34274	4	5/16 x 3/4 Carriage Bolt
21	34057	4	5/16 Washer
22	34203	4	5/16 Lock Washer
23	34020	4	5/16 Nut
24	34091	1	1/2 x 3 Carriage Bolt
25	34421	1	1/2 x 4-1/2 Carriage Bolt
26	34227	15	1/2 Washer
27	261050	2	Chain Tensioner
28	34035	2	1/2 Lock Washer
29	34034	2	1/2 Nut

# Conveyor Assembly



I-86274

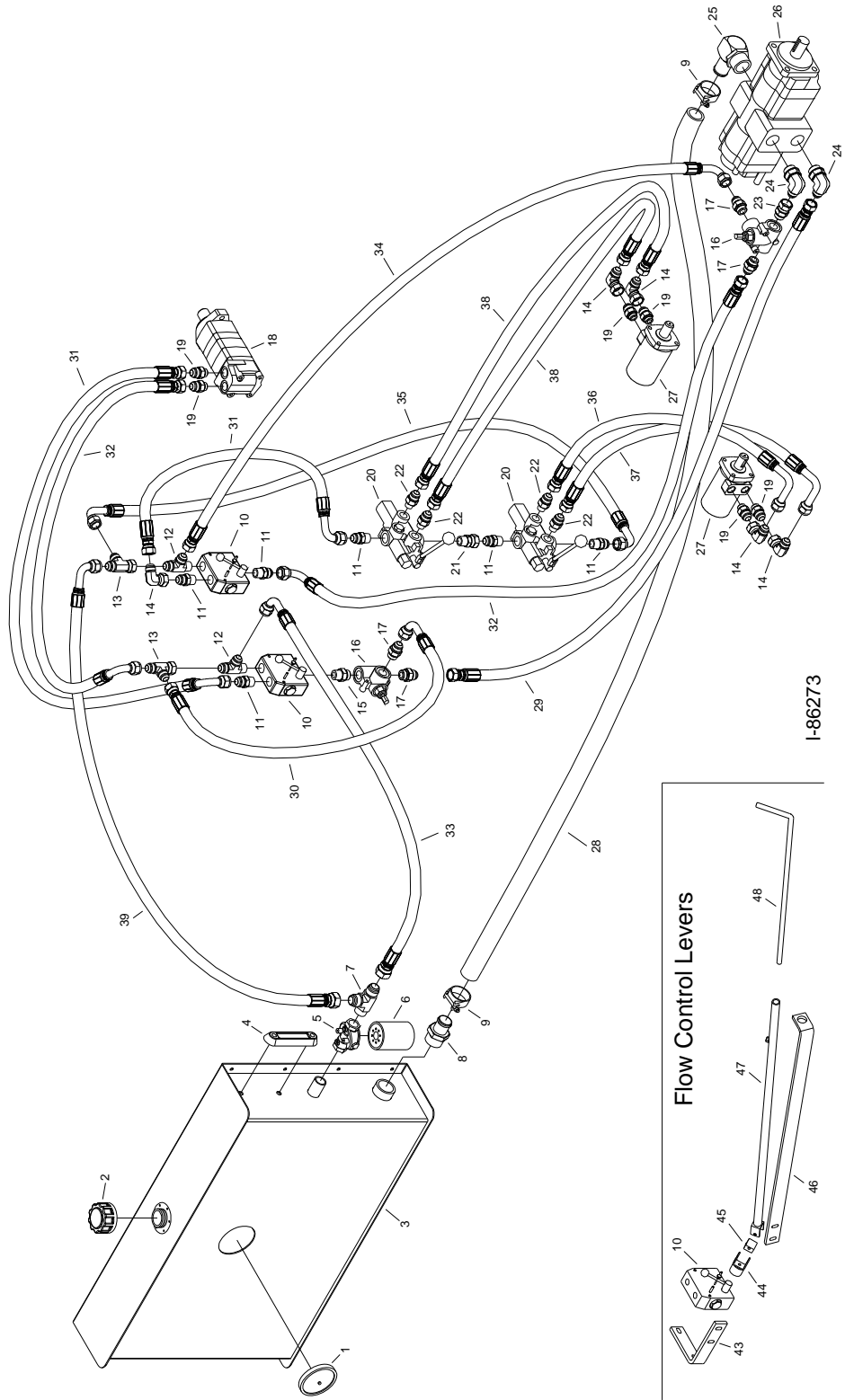
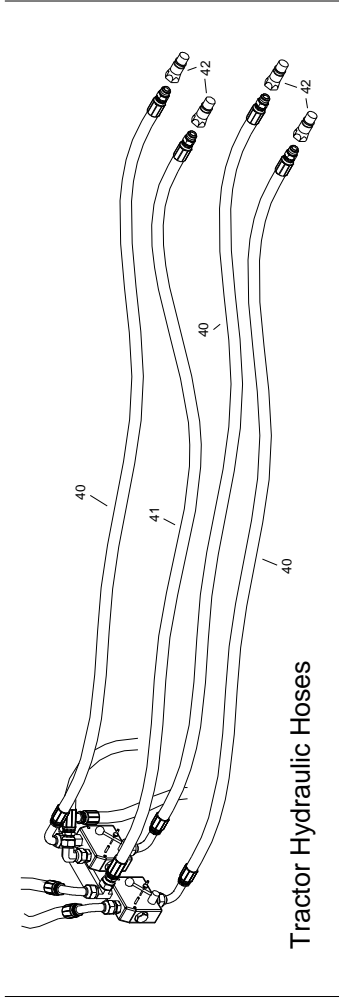
---

## Conveyor Assembly

<u>Item #</u>	<u>Part #</u>	<u>Qty</u>	<u>Description</u>
1	270579	2	Deflector Pivot Shaft
2	270445	2	Right Side Deflector Support
3	270448	8	Deflector
4	270576	8	Deflector Pivot Tube
5	270578	2	Deflector Tightener
6	270446	2	Left Side Deflector Support
7	270894	4	Deflector Bracket
8	215326	2	Idler Roll
9	271259	8	Conveyor Support Strip
10	271241	2	Conveyor Frame
11	215327	2	Drive Roll
12	215380	2	Conveyor Belt
13	210144	8	1" Flanged Bearing
14	210145	4	12 Tooth Sprocket
15	271242	2	Drives Shield
16	270323	4	Upper Conveyor Tightener
17	270216	4	Conveyor Extension
18	220127	4	Wire Lock Pin
19	270271	4	Lower Conveyor Tightener
20	34282	16	5/16 x 1-1/2 Carriage Bolt
21	34200	24	5/16 x 3/4 Bolt
22	34203	76	5/16 Lock Washer
23	34020	76	5/16 Nut
24	34229	8	5/16 x 1 Bolt
25	34250	8	5/16 x 1 Carriage Bolt
26	34057	28	5/16 Washer
27	34274	20	5/16 x 3/4 Carriage Bolt
28	34324	4	3/8 x 5 Carriage Bolt
29	34018	4	3/8 Washer
30	34220	4	3/8 Nylon Lock Nut
31	34252	4	3/8 x 1-3/4 Bolt
32	34210	4	3/8 Thin Nylon Lock Nut
33	34246	8	1/2 x 1-1/2 Carriage Bolt
34	34094	8	1/2 Washer
35	34035	8	1/2 Lock Washer
36	34034	8	1/2 Nut
37	210130	2	1/4 x 1 Key

Note: Right and left conveyors use all the same components assembled opposite (Right side shown)

# Hydraulics Assembly



I-86273

## Hydraulics Assembly

<u>Item #</u>	<u>Part #</u>	<u>Quantity</u>		<u>Description</u>
		<u>Tractor Hyd</u>	<u>PTO Hyd</u>	
1	240184		1	Clean Out Door
2	240188		1	Fill Cap
3	270955		1	Reservoir
4	240184		1	Sight Gauge / Thermometer
5	240209		1	Filter Head
6	240131		1	Filter
7	240258		1	Tee 16MP-16MJ-16MJ
8	240268		1	Adapter 24MP-24HS
9	240214		2	1-1/2" Suction Hose Clamp
10	240129	2	2	Flow Control Valve
11	240112	7	6	Adapter 12MP-12MJ
12	240113	2	2	Tee 12MP-12MJ-12MJ
13	240230		2	Tee 12MJ-12FJX-12MJ
14	240119	5	5	Elbow 12MJ-12FJX90
15	240249		1	Adapter 12MP-12MB
16	240248		2	Relief Valve
17	240117		4	Adapter 12MJ-12MB
18	240140	1	1	Floor Chain Drive Motor
19	240203	6	6	Adapter 12MJ-10MB
20	240289	2	2	4 Way Valve
21	240291	1	1	Adapter 12MP-12FJX
22	240290	4	4	Adapter 8MP-12MJ
23	240292		1	Adapter 12MB-12FJX
24	240173		2	Elbow 16MB-12MJ90
25	240260		1	Elbow 24MB-24HS90
26	240133		1	Double Pump
27	240135	2	2	Conveyor Drive Motor
28	54153		71"	1-1/2" Suction Hose
29	243183		1	Hose 30" 12FJX-12FJX
30	243156		1	Hose 26" 12FJX-12FJX90S
31	243192	2	2	Hose 28" 12FJX-12FJX90S
32	243193	1	2	Hose 27" 12FJX-12FJX90S
33	243194		1	Hose 45" 12FJX90S-16FJX
34	243195		1	Hose 29" 12FJX-12FJX90S
35	243196		1	Hose 29" 12FJX90S-12FJX90S
	243197	1		Hose 28" 12FJX90S-12FJX90S
36	243198	1	1	Hose 35" 12FJX-12FJX90L
37	243199	1	1	Hose 33" 12FJX-12FJX90L
38	243200	2	2	Hose 29" 12FJX-12FJX
39	243201		1	Hose 52" 12FJX90S-16FJX
40	243202	3		Hose 80" 12FJX90S-8MP
41	243203	1		Hose 80" 12FJX-8MP
42	240233	4		Tractor Coupler Fitting
43	270977	2	2	Bracket
44	270973	2	2	U-Joint
45	270979	2	2	Block
46	270978	2	2	Support
47	270976	2	2	Pipe
48	270631	2	2	Extension Rod