

# Millcreek Core Plug Aerators



**Sports Turf**



**Landscaping**



**Golf Courses**



**Grounds Maintenance**

Affordable, well-built aerators with extra features to help you get the job done better.



MillcreekMfg.com

# Millcreek Heavy Duty Commercial Aerators

## Affordable. Rugged. Built to Last.

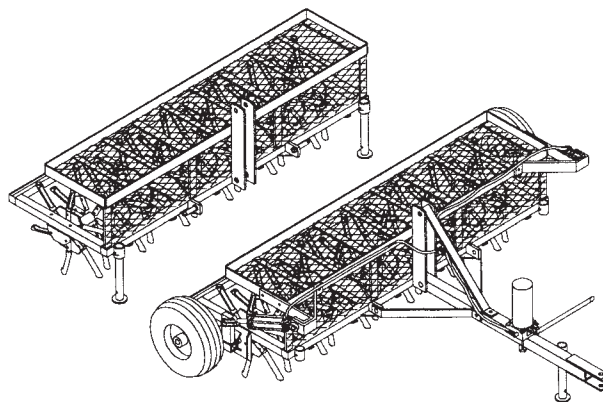
- Versatile... There's a model that's just right for your application. Choose from three frame sizes, two hitch styles, two aeration options (spoons, for standard core plug aeration, or slicing blades).
- Spoon Wheels are mounted in pairs for maximized penetration with easier turning and minimized turf damage. Replace, when needed, one pair at a time.
- Heavy Duty 1-1/2" solid square bar forms the main frame.
- Option Slicing Blades are available loosening and aerating turf without pulling cores.
- Sturdy Protector Shield fully encloses the spoon wheels on top/front/back for increased safety.

	MODEL 420	MODEL 630	MODEL 840
<b>Height</b>	24"	24"	24"
<b>Length</b>	23.5"	23.5"	23.5"
<b>Width</b>	42"	63"	84"
<b>Weight</b>	300 lbs.	410 lbs.	480 lbs.
<b>Coring Width</b>	39"	60"	81"
<b># Spoon Wheels</b>	8 Std.	12 Std	16 Std
<b># Spoons (tines)</b>	48 Std	72 Std	96 Std
<b>Coring Pattern</b>	5" x 9.5" Std	5" x 9.5" Std	5" x 9.5" Std
<b>Tractor req'd*</b>	20 hp	26 hp	34 hp

\*3-Point Hitch must have 500 lb. lifting capacity. Do not exceed manufacturer's recommended lifting capacity for 3-Point Hitch.

## General Aerator Specifications

- Construction:** Welded steel, 1.5" x 1.5" solid square bar
- Available Hitches:** Cat. 1 3-Point OR Tow-Behind drawbar hitch
- Main Shaft:** 1" diameter
- Aerating Wheels:** All-steel construction, temper-hardened spoons
- Spoon Wheel Bearings:** Greasable, oil-impregnated for longer life
- Spoons:** 3/4" closed standard, 6 spoons per wheel
- Coring Depth:** Up to 4", depending on soil conditions
- Protector Shield:** Heavy steel mesh, standard on all models



Call or visit our website today  
**1-800-311-1323**  
 MillcreekMfg.com